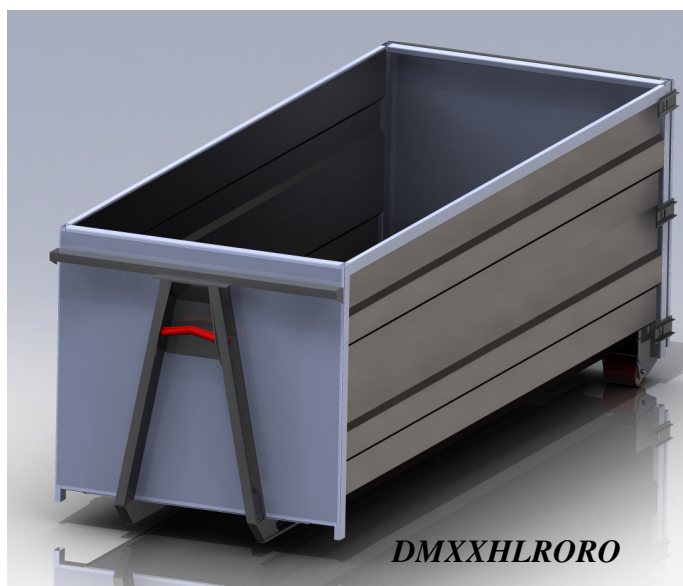
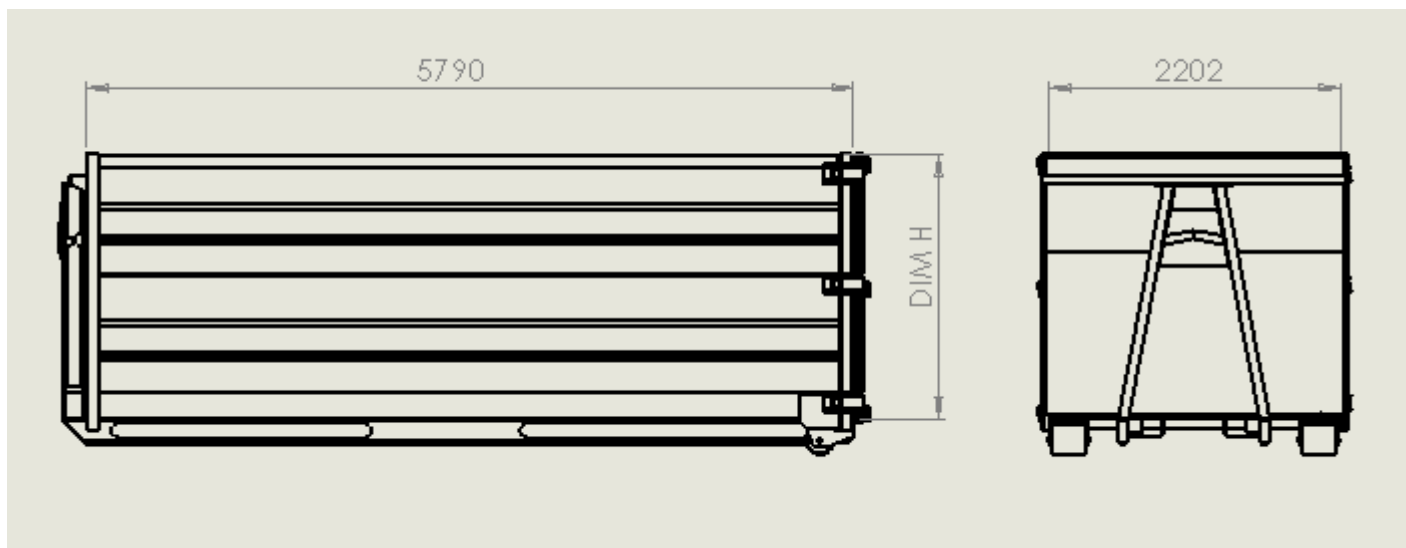


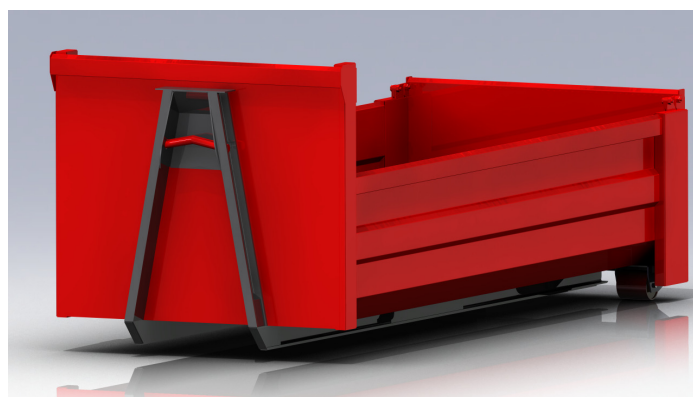
# WASTE CONTAINER

## 15,20,25,30,35,40,& 50 CUBIC YARDS CAPACITY

# DMXXHLRORO



Cubic Capacity	Dim 'H' Internal Height	Internal Size	External Size
15cyd	915mm	5790mm x 2202mm	5990mm x 2350mm
20cyd	1220mm	5790mm x 2202mm	5990mm x 2350mm
25cyd	1525mm	5790mm x 2202mm	5990mm x 2350mm
30cyd	1830mm	5790mm x 2202mm	5990mm x 2350mm
35cyd	2130mm	5790mm x 2202mm	5990mm x 2350mm
40cyd	2440mm	5790mm x 2202mm	5990mm x 2350mm
50cyd	2820mm	5940mm x 2285mm	6140mm x 2435mm

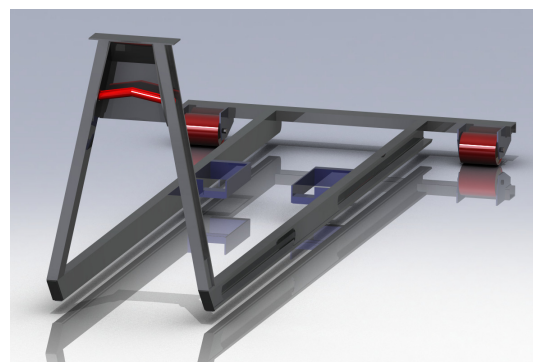


- 4 MM MILD STEEL FLOOR
- 3 MM MILD STEEL SIDE SKINS
- 3 MM TAIL SKIN
- SMOOTH SIDES FOR SIGN WRITING
- HOOKBAR TRIPLE LOCKING
- HOOK LIFT CONTROL
- TWIN REAR ROLLERS

- Constructed to the highest of standards for this type of waste body system.
- Designed using the latest 3D design software.
- Built to last the test of time, in some of the worst conditions.

UNDERFRAME BUILT TO CHEM STANDARDS, USING QUALITY MATERIALS

- 180x75 PFC RUNNERS
- 180x75 PFC FRONT LIFTING FRAME
- HEAVY DUTY REAR ROLLERS
- CHEM POCKET LOCKING



North West Tipplers Ltd  
 Rockfield Street, Blackburn,  
 Tel: 01254 53251—Fax 01254 665015  
 Sales mobile: 07975552133  
 www.nwtipplers.co.uk

Technical specifications are subject to change without notice

Rev 1, August 2011