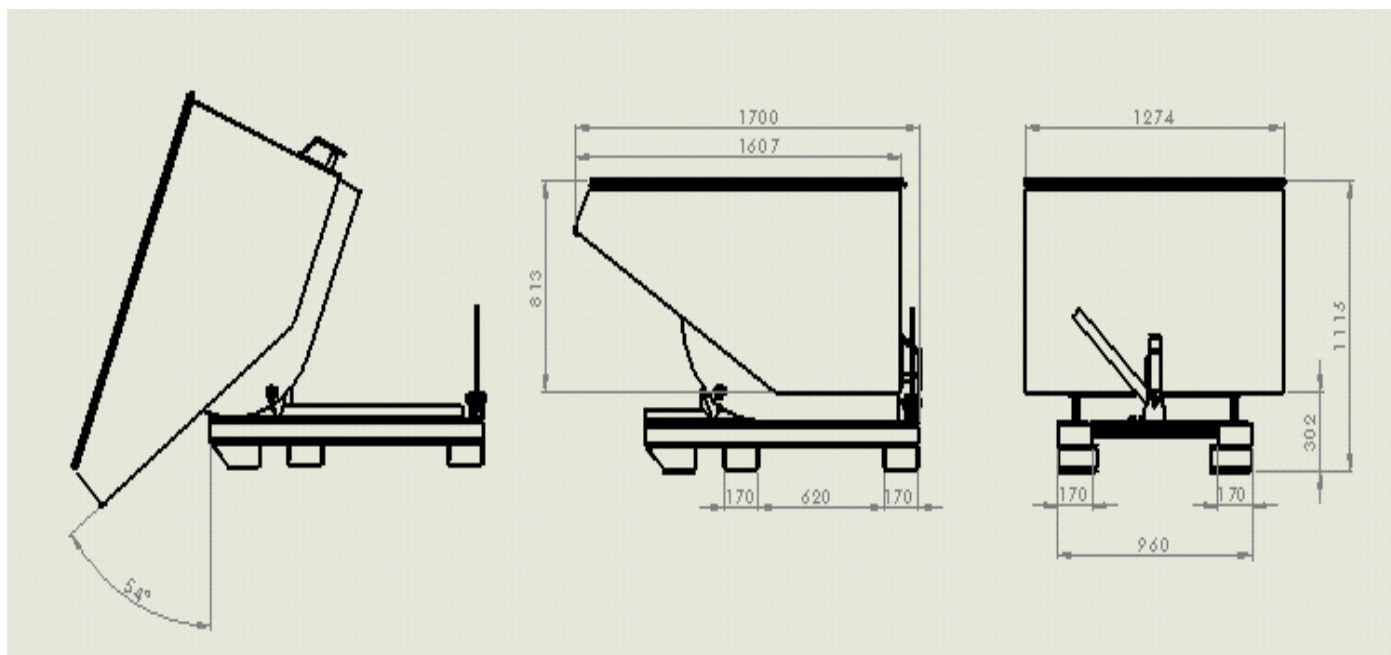


EASY LOADER TIPPING SKIP 2 CUBIC YARDS CAPACITY

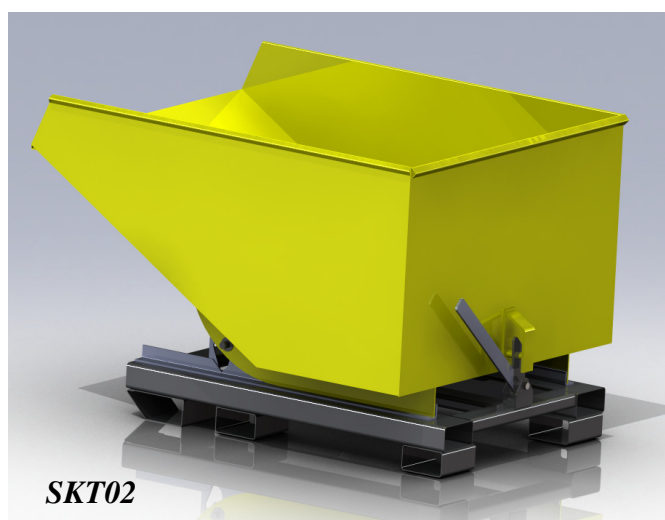
SKTXX



UNDERFRAME BUILT TO ACCEPT FORK-LIFT FORKS, ATTACHMENT TO THE SKIP FROM THE BACK OR SIDE.

- 170x90x5 HBS RUNNERS
- 170x90x5 PC FORK-LIFT POCKETS
- 2MM MILD STEEL SIDE SKINS
- 2MM MILD STEEL FLOOR
- SAFETY CHAIN
- SELF TIPPING
- REAR LOCKING MECHANISM

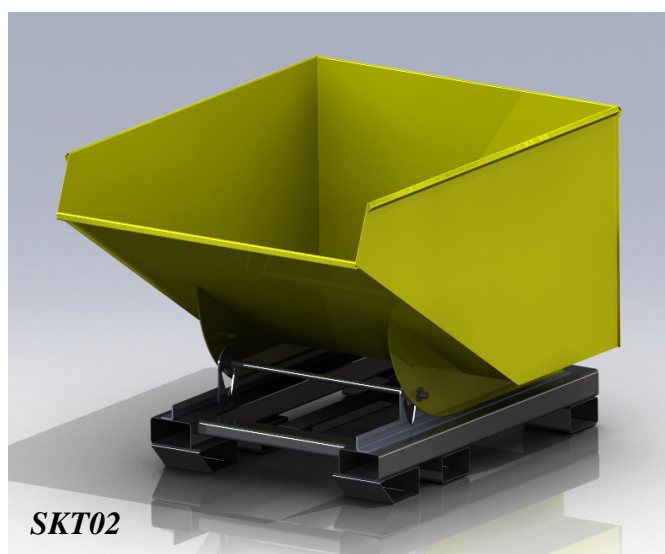
Constructed to the highest of standards for this type of waste body system.



SKT02



Designed using the latest 3D design software.



SKT02



North West Tipplers Ltd
Rockfield Street, Blackburn,
Tel: 01254 53251—Fax 01254 665015
Sales mobile: 07975552133
www.nwtippers.co.uk

Technical specifications are subject to change without notice

Rev 1, August 2011