

NORTH WEST TIPPERS

**NORTHWEST TIPPERS LTD**  
A LOAD OFF YOUR MIND

# North West Tippers Ltd

The **STRONGBOX** is the *ultralite* aggregate body, designed for maximum payload and profit

TEL. 01254 53251    email [info@nwtippers.co.uk](mailto:info@nwtippers.co.uk)



# STRONGBOX

ULTRALITE 



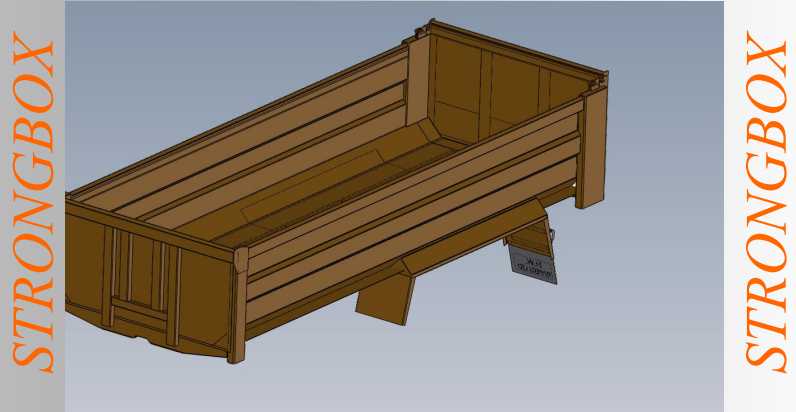
FULL RANGE OF FRONT END  
TIPPER SYSTEMS



FULL RANGE OF SHEETING SYSTEMS

## BENEFITS

Maximum payload and increased durability using the latest ultra strong steels make this STRONGBOX 1 *Ultralite* tipper body a fantastic choice for the aggregate market



Designed using the latest state of the art 3D  
Computer aided design technology

## North West Tippers EXTRAS

An extensive selection of quality accessories are available to compliment the North West Tippers product range to further enhance and promote your productivity in operation, some examples are,

- Tow frame C/W 3.5T Ball
- Beacon (single, double or bar type)
- Rear view Camera systems
- Load weighing systems

**Please contact North West Tippers for further details of our range of products available and full pricing info.**

## North West Tippers Ltd

Rockfield Street  
Blackburn  
Lancashire  
United Kingdom  
BB2 3RG

Tel 01254 53251  
Fax. 01254 665015  
Email. [info@nwtippers.co.uk](mailto:info@nwtippers.co.uk)  
<http://www.nwtippers.co.uk>



**NORTHWEST TIPPERS LTD**  
*A LOAD OFF YOUR MIND*