

NORTH WEST TIPPERS

NORTHWEST TIPPERS LTD
A LOAD OFF YOUR MIND

North West Tippers Ltd

The **STRONGBOX 11** is the *ultrastrong* Rockaway body, designed for maximum payload and profit

TEL. 01254 53251 email info@nwtippers.co.uk



STRONGBOX 11

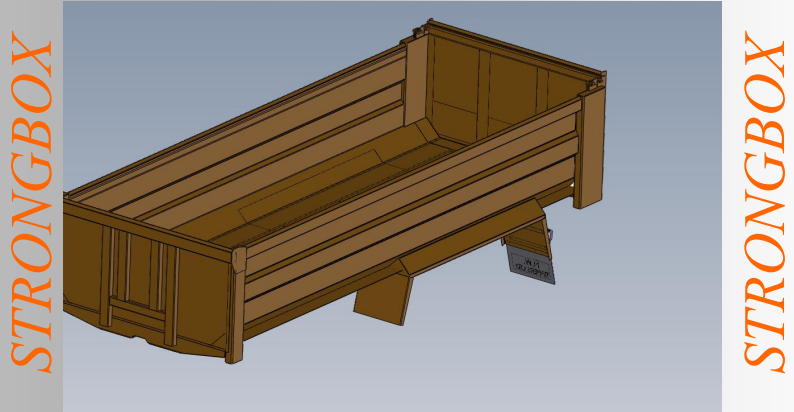
ROCKAWAY 



BENEFITS

Maximum payload and increased durability using the latest ultra strong steels make this STRONGBOX 11 *Rockaway* tipper body a fantastic choice for the heavy rock and stone market

FULL RANGE OF UNDERFLOOR
TIPPER SYSTEMS



Designed using the latest state of the art 3D
Computer aided design technology



FULL RANGE OF SHEETING SYSTEMS

North West Tippers EXTRAS

An extensive selection of quality accessories are available to compliment the North West Tippers product range to further enhance and promote your productivity in operation, some examples are,

- Tow frame C/W 3.5T Ball
- Beacon (single, double or bar type)
- Rear view Camera systems
- Load weighing systems

Please contact North West Tippers for further details of our range of products available and full pricing info.

North West Tippers Ltd

Rockfield Street
Blackburn
Lancashire
United Kingdom
BB2 3RG

Tel 01254 53251
Fax. 01254 665015
Email. info@nwtippers.co.uk
<http://www.nwtippers.co.uk>



NORTHWEST TIPPERS LTD
A LOAD OFF YOUR MIND